

MK17/MM17-REX series

Mold resin construction with explosion proof 4 way solenoid valve, light weight with Low power consumption.

IECEX

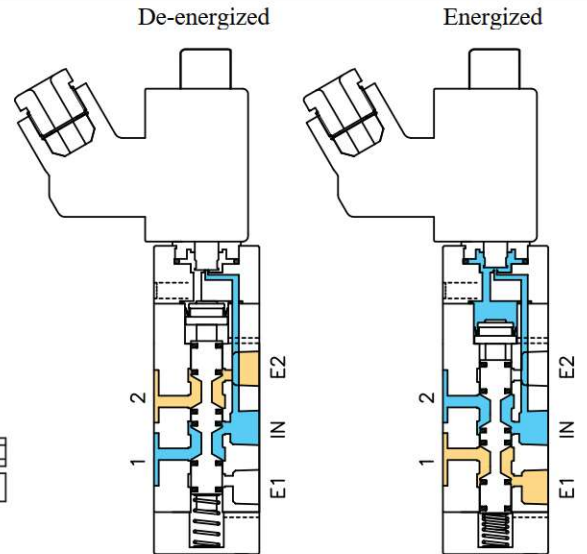
Ex-CCC

KCs

ITRI

日本

* Coming soon



Hydrogen explosion proof small solenoid

Explosion-proof electric wiring can be routed from many directions simply

Safety construction

Support for various connections (Manifold)

Low power consumption 2W~4W

Supports multiple wiring methods depending on the installation location

Conforms to NAMUR connection standard

Basic specifications

Specifications (MK17/MM17)

Function	5 ports - pilot
Fluid	Air
Working pressure	0.2 ~ 0.99MPa
Working Temp	-10 ~ +60°C
CV value	1.2
Body materials	Aluminum Alloy
Seal Materials	NBR
Piping connection	Rc1/4, NPT1/4

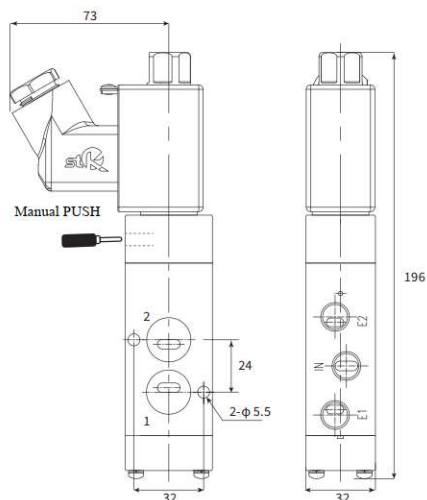
* A wide variety of wiring methods are possible with Ex. proof components.
Contact us for more information

Solenoid Specifications

Coil	Increased safety, explosion-proof resin structure
Cert. No.	Ex ebmb IIC T5-T6Gb (Hydrogen explosion proof)
Solenoid materials	Anti-UV, water proof, heat resistant plastic (UL94V-0)
Power	DC24V: 2W AC/DC100V, 110V, 200V, 220V: 4W
Permissible voltage fluctuation ration	±10%
Heat-resistant glass	Insulation class H/ Continues rating
Electric wiring	Suitable for cables with a diameter of 7-8mm In addition there is compatibility with cable diameters and other protective flexible cables.
IP Class	IP67
Manual operation	Push (standard)

MK17 (NAMUR)

Construction



Model Code

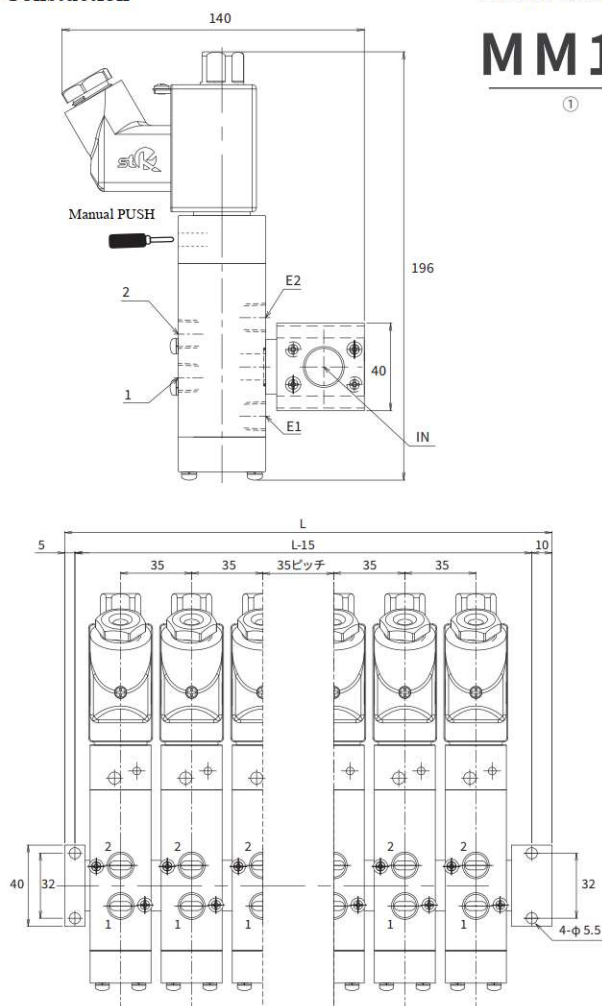
MK17 - - **REX**

① ② ③ ④ ⑤ ⑥

①	Model	MK17	4 ways solenoid valve
②	Function	G	Single Solenoid
③	Connection size (IN/E1/E2)	8	Re1/4
		8N	NPT1/4
④	Type of Solenoid	REX	Increased safety, explosion-proof monolithic plastic structure
⑤	Power	1	DC100V~110V/ AC100V~110V
		2	DC200V~220V/ AC200V~220V
		3	DC24V (Power saving)
⑥	Ground connection	0	Fits cables with an outer diameter of 7-8mm (Ex-CCC)
		3	M20x1.5 power cord port (suitable for Ex component)

MM17 (Manifold)

Construction



Model Code

MM17 - - **REX** - - /

① ② ③ ④ ⑤ ⑥ ⑦ ⑧ ⑨

①	Model	MM17	4 ways solenoid valve
②	Function	G	Single Solenoid
③	Connection size (1/2/ E1/ E2)	8	Re1/4
		8N	NPT1/4
④	Type of Solenoid	REX	Increased safety, explosion-proof monolithic plastic structure
⑤	Power	1	DC100V~110V/ AC100V~110V
		2	DC200V~220V/ AC200V~220V
		3	DC24V (Power saving)
⑥	Ground connection	0	Fits cables with an outer diameter of 7-8mm (Ex-CCC)
		3	M20x1.5 power cord port (suitable for Ex component)
⑦	Piping connection	15	Re1/2
		15N	NPT1/2
⑧	Number of Solenoid valve	2~10	2~10
⑨	Number of Solenoid cabinet	2~10	2~10

Number of Solenoid cabinet	2	3	4	5	6	7	8	9	10
L (mm)	100	135	170	205	240	275	310	345	380

Copy version in English by STK ENG (For Reference Only), APR.21, 2023
Specification may change without notice.



・金子産業株式会社 ・上海金子自動化儀表有限公司
・韓国金子株式会社 ・VIETNAM KANEKO CO.,LTD
・STK ENG CO.,LTD.(VN)



安全に関する注意

製品を安全に使うため、使用前に必ず「取扱説明書」をよくお読みください。

カタログ上の注意

仕様および外観は、改良のため予告なく変更することがあります。カタログと実際の商品の色とは印刷の関係で多少異なる場合があります。

製品使用上の注意

「計装用電磁弁 ご使用上の注意事項」及び「取扱説明書」をご確認ください。

詳しくはHPへ

<http://www.stk-hd.com>

STK HD

検索