

VALVES

Catalogue No.184a

KANEKO'S

SOLENOID VALVES
LIQUID LEVEL GAUGES
BREATHER VALVES
FLAME ARRESTERS
CYLINDER OPERATED VALVES
MANUAL VALVES & COCKS

2-Way Solenoid Valve
Explosion-Proofs

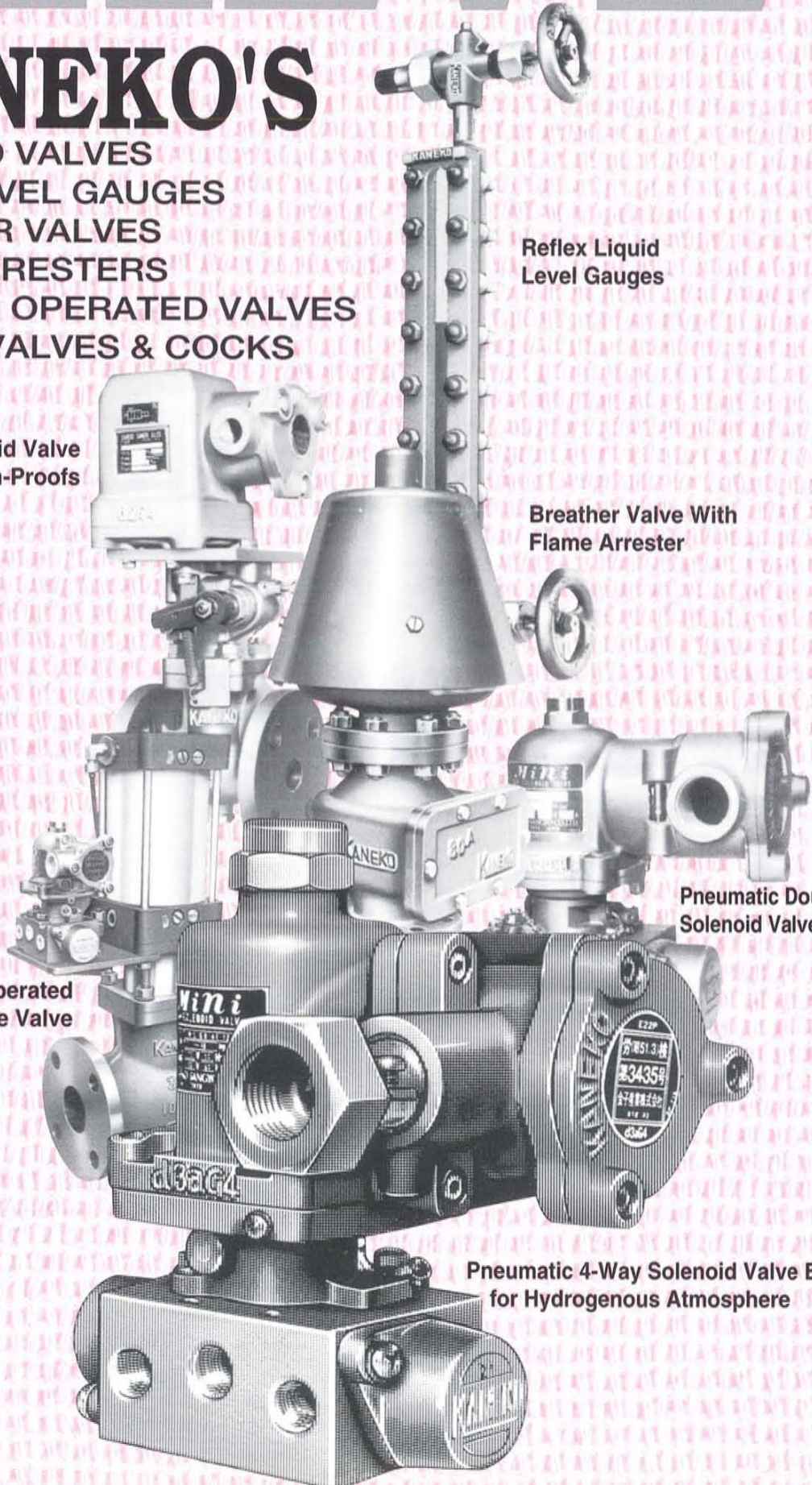
Reflex Liquid
Level Gauges

Breather Valve With
Flame Arrester

Pneumatic Double Latch 4-Way
Solenoid Valve Explosion-Proof

Cast Iron Operated
Globe Valve

Pneumatic 4-Way Solenoid Valve Explosion -Proof
for Hydrogenous Atmosphere



SOLENOID VALE SPECIFICATIONS / ORDERING GUIDE

Model No.	2 - WAY				3 - WAY				4 - WAY							
	M30	M31R.T	301	301R.T	MOOU	MOODU	M50	M51R.T	M55	M55R.T	M15G	M15DG	M80	M81R.T	65G. 65DG	
Pipe Size	1/2~2		2-2/1~3		1/8~3/8		1/8~3/8		1/4,3/8		3/8~1-1/4		1/4,3/8		1/4,3/8	
Screwed Connection	●				●	●	●	●	●	●	●	●	●	●	●	●
Flanged Connection	●		●													
Normally Closed	●		●		●	●	●	●	●	●	●	●	●	●	●	●
Normally Open	●		●		●	●	●	●	●	●	●	●	●	●	●	●
Multi - Purpose					●	●										
Water - tight Construction	●		●		●	●	●	●	●	●	●	●	●	●	●	●
Explosion - proof Construction	●		●		●	●	●	●	●	●	●	●	●	●	●	●
Operating method	Direct		Direct		Direct	Direct	Direct	Direct	Pilot	Pilot	Pilot	Pilot	Direct	Direct	Pilot	Pilot
Min. Operating Pressure MPa	0		0		0	0	0	0	0.12	0.1	0.1	0.1	0	0	0.12	0.12
Max. Operating Pressure MPa	1(1/2~1) 3(1-1/2~2)		1		0.7	0.99	0.99	0.99	0.99	0.99	0.99	0.99	0.99	0.99	0.99	0.99
Media	Water, Oil, Air, Gas, Chemicals				Air	Air	Air	Air	Air	Air	Air	Air	Air	Air	Air	Air
Electric Current	AC,DC		AC,DC		AC,DC	AC,DC	AC,DC	AC,DC	AC,DC	AC,DC	AC,DC	AC,DC	AC,DC	AC,DC	AC,DC	AC,DC
Solenoid Energized Continuously	●		●		●	●	●	●	●	●	●	●	●	●	●	●
Solenoid Energized One pulse							●					●				
Body Materials	CAC,SCS		CAC,FC,SCS		AL	AL	CAC	CAC	CAC	CAC	AL	AL	AL	AL	AL	AL
Manual Operation	●		●		●	●	Option	●	●	●	●	Option	●	●	●/Option	●/Option

● Indicates Valves Constructions Available

LIQUID LEVEL GAUGE SPECIFICATIONS / ORDERING GUIDE

Model No.	Tubular Gauge				Reflex Gauge				Transparent Gauge			
	Marine Gauge	See-tru Gauge		# 133 Gauge	R-N20	R-30	R-50	RC-S30	T-N20	T-30	T-50	TC-S30
Pipe Size	G3/4	3/4		1/2~1	1/2~1	1/2~1	1/2~1	1/2~2	1/2~1	1/2~1	1/2~1	1/2~2
Screwed Connection	●	●		●	●	●	●		●	●	●	
Flanged Connection			●	●	●	●	●	●	●	●	●	●
No. of Section					8	8	5	6	8	8	5	6
Gauge Valve Type	Quick Mount	Quick Mount	Quick Mount	Quick Mount	#4(-50~+210) Off-set			#4Y(-100~+400) Off-set	#4LBY(-200~+400) Off-set			
Drain Valve		●		●	●	●	●	●	●	●	●	●
Drain Connection		R		R	R	R	R	R	R	R	R	R
Max. MPa Working Pressure	Atmos-phere	1	2	2	5	7.5	10	5	5	7.5	10	5
Max. Temperature °C	80	80	150	150	400	350	350	210	400	400	400	210
Min. Temperature °C	Atmos-phere				-100	-100	-100	-200	-100	-100	-100	-200
Liquid Media	W,O	W,O	W,O	W,O	Liquid and Gases							
Valve body, Liquid Chamber Materials	BR	BR	SS	CS,SS	CS,SS	CS,SS	CS,SS	SS	CS,SS	CS,SS	CS,SS	SS
Center to Center Max.	1,000	1,500		1,500	3,030	1,845	1,845	2,320	3,030	1,845	1,845	2,320

Remark W : Water. O : Oil. C : Chemicals. SS : Stainless Steel. BC : Bronze. FC : Cast-iron. AL : Aluminum. CS : Carbon Steel. BR : Brass

● Indicates Valves Constructions Available

KANEKO'S SOLENOID VALE MODEL NO.

M30	C	25	A44	B	S	1	1
-----	---	----	-----	---	---	---	---

Trim 1: AL- Bronze 2: SUS
 Inside, const. 1: For general purpose.
 2: For high temp. or hev y oil. 5: Chemicals. Steam
 Pipe connect. (Valve ends) S: Screwed. F: Flanged
 Valve body materials. B: Bronze S: SCS. F: Cast-iron
 Solenoid const. 44: pule type. A: AC. Wate -tight
 AE: AC. Exp. proof. D: DC Water-tight. DE: DC. Exp-proof
 Valve size (15:1/2,20:3/4,25:1,32:1-1/4,40:1-1/2,50:2) (M30Series). (65:2-1/2,80:3) (#301 Series)
 Function C: Normally closed. D: Normally open

M30, #301, 2-Way solenoid Valve

MOO	D	6	A	12P	RS	M	01
-----	---	---	---	-----	----	---	----

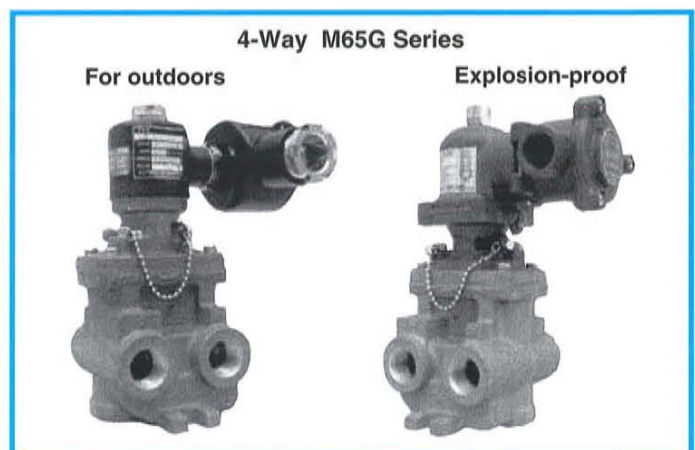
Orifice dia 3.0 (standard 1.6) only Moo Series
 Manual operate button (Option)
 Dual coil of Latching sol. (Single SOL. With out RS)
 Solenoid model for push type sol.
 Solenoid const. A: AC, D: DC. Water tight
 AE: AC. DE: DC. Explosion-proof
 Valve size 6:1/8, 8:1/4, 10: 3/8,15: 1/2, 20: 3/4, 25: 1
 Function D: 2Way dual coil, DU: 3-Way dual, coil, DC: 4-Way dual coil (ON-OFF Single solenoid with out D)

MOO: 2-Way, MOOU: 3-Way. M15G: 4-Way Single Sol. M15DG: 4-Way dual Sol.

2 WAY	M30 C D	0	A44 AE44 D44 DE44	2 3 4 5	M30C: M30 Series Normally Closed M30D: M30 Series Normally Open M35C: For Water Normally Closed and Cast iron Body Only A44, A66: AC. Water-tight Sol AE44, AE66: AC. Explosion-proof Sol D44, D66: DC. Water-tight Sol DE44, DE66: DC. Explosion-proof Sol	0 1 2 3 4 5	Size: 15, 20, 25, 32, 40, 50 Size: 65, 80 Valve body materials B: Bronze S: Stainless Steel F: Cast iron Pipe connection (Valve ends) S: Screwed F: Flanged Valve construction 1: For general purpose 2: For high temperature or 5: Steam, chemicals Trim materials 1: Aluminum-bronze 2: Stainless steel		
	301 C D	1	A66 AE66 D66 DE66	2 3 4 5					
3 WAY	M31R D C M31T D	0	A44 AE44 D44 DE44	2 3 4 5	● Manual Reset Valves No voltage release M31RC: Latched Closed Valve M31RD: Latched Open Valve Electrically tripped M31TC: Latched Closed Valve M31TD: Latched Open Valve				
	301R D C 301T D	1	A66 AE66 D66 DE66	2 3 4 5					
4 WAY	MOOU C D E F	6* 8 10	A12PG AE12PU D12PG DE12PU	6	MOOU C D E F	6 8 10 6 8 10 6 8 10 6 8 10 6 8 10 6 8 10	6 M 6 M 6 M 6 M	6 Orifice dia. 01: 3.0 M Manual Operate button A12PG, A12PRS: AC. (Water tight) AE12PU, AE12PRS: AC.Expllosion-proof D12PG, D12PRS: DC. (Water tight) DE12PU, DE12PRS: DC. Explosion-proof	
	M50 C D E F	8 10	A1 AE1 D1 DE1		M50 R T	C D E F	8 10 8 10 8 10 8 10	A1 AE1 D11 DE11	AI : AC. (For out doors) Water tight AE1 : AC. Explosion-proof D11 : DC. (For out doors) Water tight DE11: DC. Explosion-proof C : Normally Closed D : Normally Open E : Two-Outlet, One-Exhaust F : One-Outlet, Two-Exhaust
4 WAY	M55 C D E F	8 10 15 20 25 32	A1 AE1 D11 DE11		M55 R T	C D E F	8 10 15 20 25 32	A1 AE1 D11 DE11	
	M15G 8 10	A12PG AE12PU D12PG DE12PU	8 15 20 25 32	A12PG AE12PU D12PG DE12PU	M15DG 8 10	A12PRS AE12PRS D12PRS DE12PRS	M M M M	M15G, M65G: Single Solenoid M15DG, M65DG: Double Latch Solenoid	
4 WAY	M80 6 8 10	A1 AE1 D11 DE11		M80 R T	6 8 10	A1 AE1 D11 DE11		10 15 20 25 32	A12PRS—M AE12PRS—M D12PRS—M DE12PRS—M
	M81 6 8 10	A1 AE1 D11 DE11		M81 R T	6 8 10	A1 AE1 D11 DE11			

MOOU SERIES

- Size: 1/8" ,1/4" and 3/8"
- Working Pressure: 0~0.7MPa (orifice ϕ 1.6)
0~0.4MPa (orifice ϕ 3.0)
- Cv Factor: 0.084 (ϕ 1.6), 0.22 (ϕ 3.0)
- Electricity: AC, DC Continuous
- Solenoid Enclosure Two types are available:
 - (1) Watertight (for outdoors)
 - (2) Explosion-proof Model d2G4
- Body Materials: Aluminum Alloy
- Function: Solenoid direct acting
 - (1) Normally closed
 - (2) Normally open
 - (3) Two outlets, one exhaust
 - (4) One outlet, two exhausts
- With manually operated button (Patented)
- Class of Coil Insulation: H
- Explosion-proof terminal box is revolved 340° for wiring and piping construction



M15G SERIES

- Size: 1/4" and 3/8"
- Working Pressure: 0.1~0.99MPa
- Cv Factor: 0.87 (orifice ϕ 6)
- Electricity: AC, DC Continuous
- Solenoid Enclosure Two types are available:
 - (1) Watertight (for outdoors)
 - (2) Explosion-proof Model d2G4
- Body Materials: Aluminum Alloy
- Function: Pilot operated 4-way
2 position 5 ports
- Others are identical to MOOU Series

M65G SERIES

- Size: 3/8" ,1/2" ,3/4" , and 1-1/4"
- Working Pressure: 0.1~0.9MPa
- Cv Factor: 2.0, 2.5(3/8" ,1/2" orifice ϕ 12.2)
5.0 (3/4" orifice ϕ 19)
12.0 (1" , 1-1/4" orifice ϕ 31.8)
- Head: M15G Series Solenoid with Pilot valve

M15GA (D) E22P SERIES

- Size: 1/8" ,1/4" and 3/8"
- Solenoid Enclosure:
 - Explosion-proof for hydrogenous atmosphere of Model d3aG4
- Others are identical to MOOU Series

3-Way M00DU Series

For outdoors



Explosion-proof



4-Way M15DG Series

For outdoors

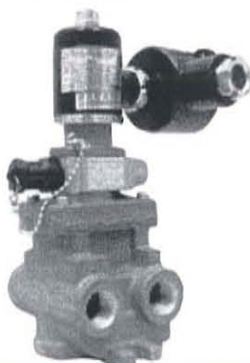


Explosion-proof



4-Way M65DG Series

For outdoors



Explosion-proof



Speed Controller 1/4" to 1"

Pneumatic
Three Sets
1/4" to 1"



Silencer
1/8" to 1"



MOODU SERIES

Using the double latch option, the valve is operated by means of a permanent magnet latch circuit that can be controlled by a momentary current pulse of fifty milliseconds. Continuous current may be used if desired, but continuous current flow is not necessary.

- Size: 1/8" , 1/4" and 3/8"
- Working Pressure: 0~0.99MPa
- Option: Manually operated button
- Others are identical to MOOU Series
- Solenoid Enclosure Two types are available:
 - (1) Watertight (for outdoors)
 - (2) Explosion-proof Model d2G4
 Approved by JLM
- Others are identical to MOOU Series

M15DG SERIES

- Size: 1/4" and 3/8"
- Working Pressure: 0.1~0.99MPa
- Electricity: AC, DC 500 msec., pulse operated
- Option: Manually operated button (Patented)
- Explosion-proof terminal box is revolved 300° for available to wiring and piping construction
- Others are identical to M15G Series

M65DG SERIES

- Size: 3/8" , 1/2" , 3/4" , 1" and 1-1/4"
- Working Pressure: 0.1~0.9MPa
- Electricity: AC, DC 500 msec., pulse operated
- Head: M15DG Series Solenoid with pilot valve
- Body Material: Aluminum die cast
- Others are identical to M15DG and M65G Series

M30 SERIES

- Size: 1/2" ~ 1" (Screwed)
1/2" ~ 2" (Flanged)
- Working Pressure: Max.3MPa(1/2" ~ 1")
Max.1MPa(1-1/2" ~ 2")
- Electricity: AC, DC
- Solenoid Enclosure Two types are available:
(1) Watertight (for outdoors)
(2) Explosion-proof Model d2G4
Approved by JLM
- Pipe Connection: Screwed or flanged
- Body Materials: Bronze, stainless steel & cast iron
- Media: Air, gas, water, steam (200°C) and chemicals
- Function: Normally closed and open

Size and Cv Factor

Size	1/2	3/4	1	1-1/4	1-1/2	2
Cv Factor	4.2	8.4	10.5	14.1	28.7	48.5

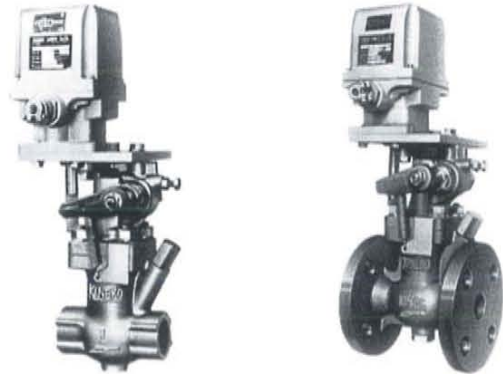
#301 SERIES

- Size: 2-1/2" ~ 3"
- Working Pressure: 0~1MPa
- Electricity: AC, DC
- Explosion-proof Model d2G4
Approved by JLM
- Pipe Connection: Flanged
- Body Materials: Bronze, stainless steel and cast iron
- Media: Air, gas, water, oil and steam (200°C)
- Function: Normally closed and open
- The others refer to page 1

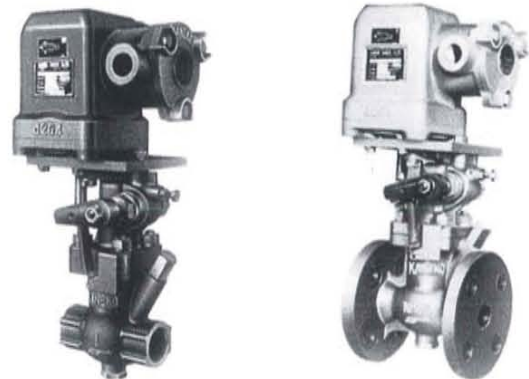
TYPE 5282 SERIES

- Size: 1/2" ,3/4" ,1" ,1-1/4" ,1-1/2" & 2"
- Working Pressure: 0.05~1MPa
- Electricity: AC, DC
- Explosion-proof (Type & Class)
EExed II CT5 (PTB)
Exed II CT5 (JAPAN)
- Pilot operated, Flapper type
Actuator and Diaphragm sealing
construction
- Body Materials: Brass, Stainless Steel

M30 Series for Outdoors



M30 Series Explosion-proof



No.301 Series for Outdoors



Type 5282 Series

Explosion-proof



M31R,M31 T Series



Explosion-proof

301R,301 T Series



For outdoors

M31R, T SERIES

- Size: 1/2" ~ 2"
- Working Pressure: 0~3MPa (1/2" ~1")
0~1MPa (1-1/2" ~2")
- Electricity: AC, DC
- Solenoid Enclosure Two types are available:
(1) Watertight (for outdoors)
(2) Explosion-proof Model d2G4 Approved by JLM
- Pipe Connection: Screwed and flanged
- Body Materials: Bronze and stainless steel
- Functions: No voltage release or Electrically tripped

M301R, T SERIES

- Size: 2-1/2" ~4"
- Working Pressure: 0~1MPa
- Pipe Connection: Flanged
- Body Materials: Bronze, cast iron and stainless steel

C51TC Series

Explosion-proof



C51T, C SERIES EXPLOSION-PROOF FOR HYDROGEN

- Size: 1/8" ,1/4 & 3/8 "
- Working Pressure: 0.1~0.99MPa
- Electricity: AC, DC
- Pilot operated 3-way type and Electrically tripped

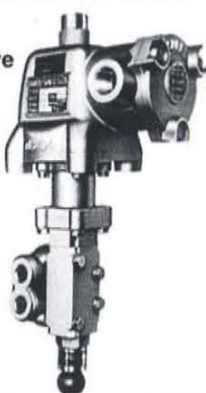
M55R,M55 T Series

3-Way Valve



M81R,M81 T Series

4-Way Valve



M55R, T SERIES 3-WAY AIR ONLY

- Size: 3/8" ~1-1/4"
- Working Pressure: 0.12~0.99MPa
- Electricity: AC, DC
- Pilot operated 3-way normally closed and open
- Body Materials: Bronze
- Head: M81R or M81T Series Solenoid with Pilot valve

M81RG, TG SERIES 4-WAY AIR ONLY

- Size: 1/4" and 3/8"
- Working Pressure: 0~0.99MPa
- Direct operated 2 position
Explosion-proof Model d2G4
- Electricity: AC, DC
- Materials: Aluminum alloy body

C81RC,C81 TG Series

4-Way Valve



Bellofram 4-Way Valve



C81RG, TG SERIES 4-WAY AIR ONLY

- 4-way pneumatic direction control
- Pneumatic lock, pressure-reset manual system
- Size: 1/4" and 3/8"
- Working Pressure: 0~0.99MPa
- Signal Pressure: 0.1~0.99MPa
- Materials: Aluminum alloy body and pilot valve housing,

BELLOFRAM 4-WAY VALVE AIR ONLY

- Size: 1/4" and 3/8"
- Working Pressure: 0~0.99MPa
- Signal Pressure: 0.1~0.99MPa
(Note) Belloframe: Belloframe corporation' s rubber rolling diaphragms.
- Materials: Aluminum alloy body

ALL WEATHER DESIGNED BREATHER VALVES AND FLAME ARRESTERS

The breather valve and flame arrester assembly are mounted on the oil storage tank.

- Size: $\phi 80$ (3") ~ $\phi 250$ (10")
- Set Pressure:
 - Pressure side: +0.25~+0.5KPa
 - Vacuum side: -0.25~-0.5KPa
- Body Materials: Cast iron with stainless steel and plastic trim
- These Breather valves and flame arresters are cold district atmosphere, temperature at minus 10°C to minus 30°C operating tested

STANDARD MODEL

- Size: $\phi 40$ (1-1/2") ~ $\phi 250$ (10")
- Set Pressure:
 - Pressure side: +0.25~+0.5KPa
 - Vacuum side: -0.25~-0.5KPa
- Pipe Connection: Flanged JIS 10K, ANSI 150 lbs.
- Media: Atmosphere air and oil vapor
- Body Materials: Cast iron, aluminium and stainless steel with bronze and stainless steel trim.

PRESSURE RELIEF VALVES

- Size: $\phi 40$ (1-1/2") ~ $\phi 250$ (10")
- Set Pressure: +0.25~+0.5KPa
- But may be set at any pressure desired
- Pipe Connection: Flanged JIS 10K, ANSI 150 lbs.
- Media: Atmosphere air and oil vapor
- Body Materials: Cast iron, aluminium and stainless steel with bronze and stainless steel trim.

VACUUM RELIEF VALVES

- Size: $\phi 40$ (1-1/2") ~ $\phi 250$ (10")
 - Set Pressure: Same as standard model' s negative pressure, but may be set at any pressure desired.
- (Note) These valve pallets are dead weight located on seat rings. The pressure pallet is lifted from its seat ring. when the tank pressure reaches the valve pressure setting, allowing the excess pressure to be vented to the atmosphere. As the tank pressure drops below the valve pressure setting, the pressure pallet returns to the closed position. For a negative pressure (vacuum), the vacuum pallet is lifted from its seat ring when the tank vacuum reaches the valve vacuum setting, allowing air to flow into the tank to relieve the excess vacuum condition. The vacuum pallet returns to its normal position as the tank vacuum drops below the valve vacuum setting.

GAS SEAL UNIT (For Tank Gas Blanketing)

- Size: 3/8" × 3/4" (Screwed) and $\phi 25 \times \phi 50$ (Flanged)
- Primary Pressure (Supply): 0.1~0.7MPa G.Max.
- Secondary Pressure: 0.1~7KPa (3/8" × 3/4")
0.05~7KPa ($\phi 25 \times \phi 50$)
- Body Material: Stainless steel

All Weather Designed Breather Valve and Flame Arrester



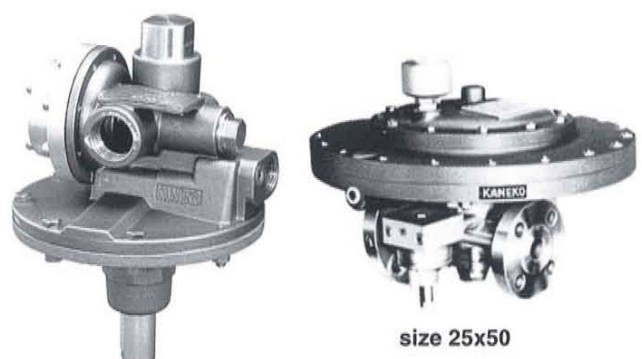
Standard Model



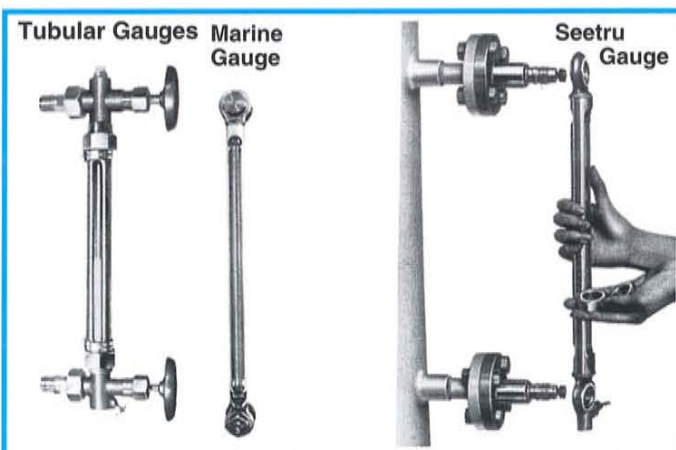
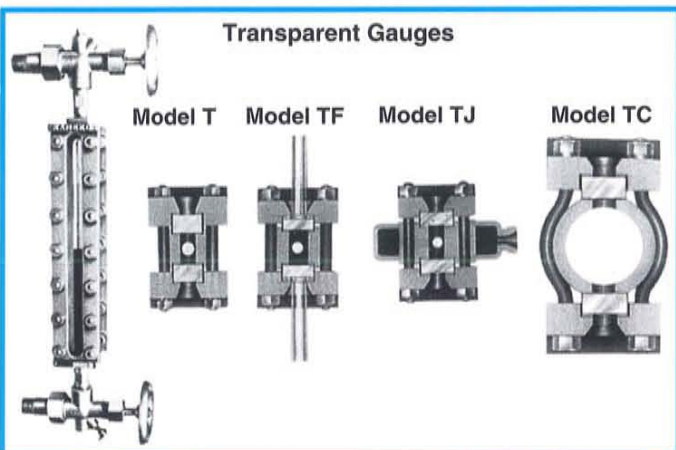
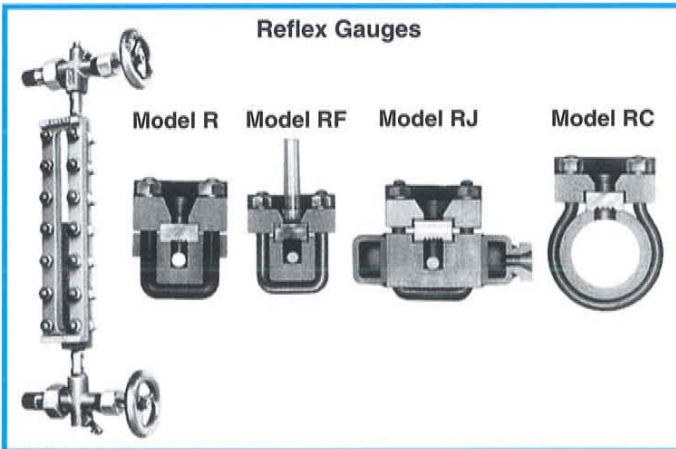
Pressure Relief Valve Vacuum Relief Valve



Gas seal unit for Inert gas (N2 gas)



size 25x50

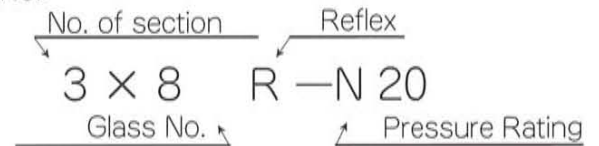


REFLEX GAUGE, TRANSPARENT REFLEX, TRANSPARENT GAUGES

- Tank Connection: Screwed, socket weld and
- 1/2" , 3/4" and 1" flanged
- Shell Test Pressure: 6MPa
- No. of Sections: one to eight sections (R-N20 Series)
- Size No.:

Size No.		Visible Length	Boss Center	Size No.		Visible Length	Boss Center
R	T			R	T		
One Section				3 x 6 R	3 x 6 T	915	1125
1 x 1 R	1 x 1 T	171	385	3 x 7 R	3 x 7 T	975	1185
1 x 2 R	1 x 2 T	181	395	3 x 8 R	3 x 8 T	1035	1245
1 x 3 R	1 x 3 T	201	415	Four Sections			
1 x 4 R	1 x 4 T	231	445	4 x 6 R	4 x 6 T	1232	1445
1 x 5 R	1 x 5 T	261	475	4 x 7 R	4 x 7 T	1312	1525
1 x 6 R	1 x 6 T	281	495	4 x 8 R	4 x 8 T	1392	1605
1 x 7 R	1 x 7 T	301	515	Five Sections			
1 x 8 R	1 x 8 T	321	535	5 x 6 R	5 x 6 T	1549	1760
Two Sections				5 x 7 R	5 x 7 T	1649	1860
2 x 2 R	2 x 2 T	398	610	5 x 8 R	5 x 8 T	1749	1960
2 x 3 R	2 x 3 T	438	650	Six Sections			
2 x 4 R	2 x 4 T	498	710	6 x 7 R	6 x 7 T	1986	2200
2 x 5 R	2 x 5 T	558	770	6 x 8 R	6 x 8 T	2106	2320
2 x 6 R	2 x 6 T	598	810	Seven Sections			
2 x 7 R	2 x 7 T	638	850	7 x 7 R	7 x 7 T	2323	2535
2 x 8 R	2 x 8 T	678	890	7 x 8 R	7 x 8 T	2463	2675
Three Sections				Eight Sections			
3 x 4 R	3 x 4 T	765	975	8 x 7 R	8 x 7 T	2660	2870
3 x 5 R	3 x 5 T	855	1065	8 x 8 R	8 x 8 T	2820	3030

<Size No.>



(Note) R = Reflex, T = Transparent

No. 133 TUBULAR GAUGE

- Tank Connection: 3/4" Screwed and flanged
- Visible Length: Boss Center minus 145mm

MARINE GAUGE

- Tank Connection: 3/4" Screwed
- Visible Length: Boss Center minus 120mm

SEETRU GAUGE BRASS BODY

- Tank Connection: 3/4" Screwed
- Visible Length: Boss Center minus 120mm

SEETRU GAUGE STAINLESS STEEL BODY

- Tank Connection: 3/4" Screwed and flanged
- Visible Length: Boss Center minus 120mm

SEEFLEX MARINE GAUGE FLAT GLASS TYPE

- Compliant to SOLAS
- Type of Approval
LR, ABS, DNV, NK, JG

DIAL LIQUID LEVEL GAUGES

- Working Pressure: 0.02, 0.5 and 3MPa
- Liquid Temperature: 120° Max.
- Alarm and Control Contact Point:
Available assembly max. 4 contact points but without Model: KL-400 Series

FLOAT SWITCH LIQUID LEVEL CONTROLLER

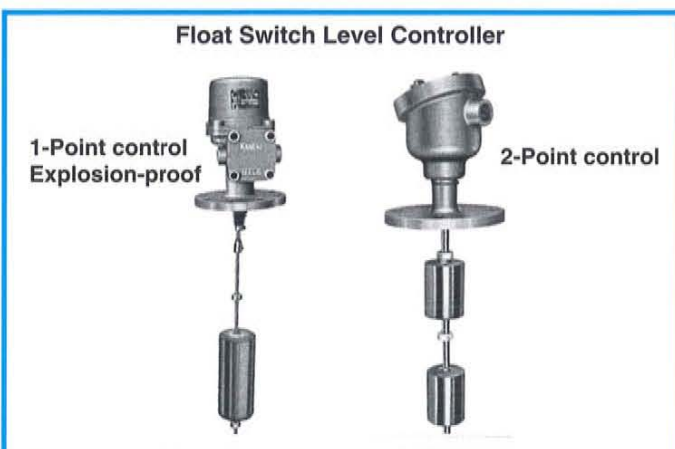
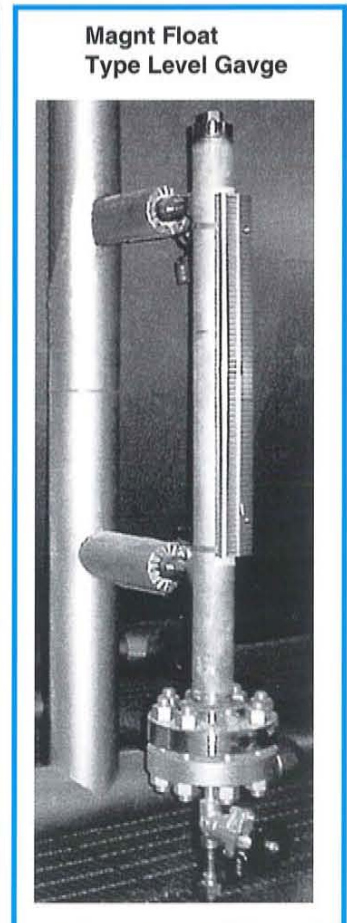
- Test Pressure: 1.5MPa
- Contact point system: Lead switch
- Contact point capacity: 50VA(AC 100V 0.5A) Resistance loading.
- Control range system: Micro-switch lever method.
- Control range: 50 to 1000, 100 to 1500 and 100 to 2000mm

MAGNET FLOAT TYPE LEVEL GAUGE

- Working Pressure: Max 25.0MPa
- Working Temp: 430°C
- Specific Gravity: 2~0.3
- Material
SUS304
SUS316
SUS316
TITAN
PP, PVC

SLIM TYPE MAGNET FLOAT LEVEL GAUGE

- Working Pressure: 3MPa
- Working Temp: 150°C
- Specific Gravity: 2~0.7
- Connection: 20A JIS 10K, 20K
3/4" ANSI 150, 300
- Body Material: SUS304
- Float Material: SUS316L



Type "me" Explosion-proof



TYPE "me" EXPLOSION PROOF SOLENOID VALVE M15G-MK15G SERIES

- Size: 1/4" and 3/8"
- Compliant to CE marking and ATEX Directive
- Type of Approval
CENELEC, JIS, NEPSI, KOSHA
- Explosion proof Class
EU: II 2G EExme II T6
JAPAN: Exse II T6
CHINA: Exme II T4
KOREA: Exme II T6

Intrinsically Safety Explosion-proof



INTRINSICALLY SAFETY EXPLOSION PROOF MC15 MK15G SERIES

- Size: 1/4" and 3/8"
- Compliant to CE marking and ATEX Directive
- Type of Approval
CENELEC, JIS
- Explosion proof Class
EU: II 1G EExia II BT4
JAPAN: Exia II BT4

Level Transmitter Magnet Float type



MAGNET FLOAT TYPE LEVEL GAUGE WITH TRANSMITTER 4~20mA

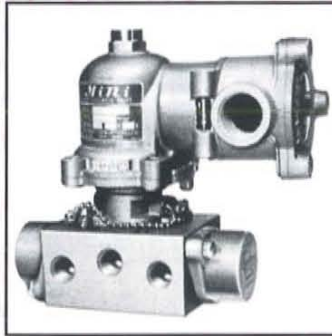
- Enclosure
 - (1) Watertight (for outdoors) IP64
 - (2) Explosion-proof, Exd II B+H2T6
IP66

In-Line Flame Arrester



IN-LINE TYPE FLAME ARRESTER CRIMPED METAL TYPE

- Size: 1/2" ,3/4" ,1" ,1-1/2" ,2" ,3" ,4" ,6"
- Type of Approval
BAM 02ATEX 0001X
- Compliant to CE marking and EN12874
- Gas Group II A
- In-Line type. Deflagration
- Short time burring



Established in 1918.

KANEKO SANGYO CO.,LTD

KANEKO URL: <http://www.kaneko.co.jp>

Head office : 10-6 Shiba 5-chome, Minato-ku, Tokyo 108-0014 JAPAN

Tel : 03-3455-1411

Fax : 03-3456-5820



Silent Technology
KANEKO

DISTRIBUTOR